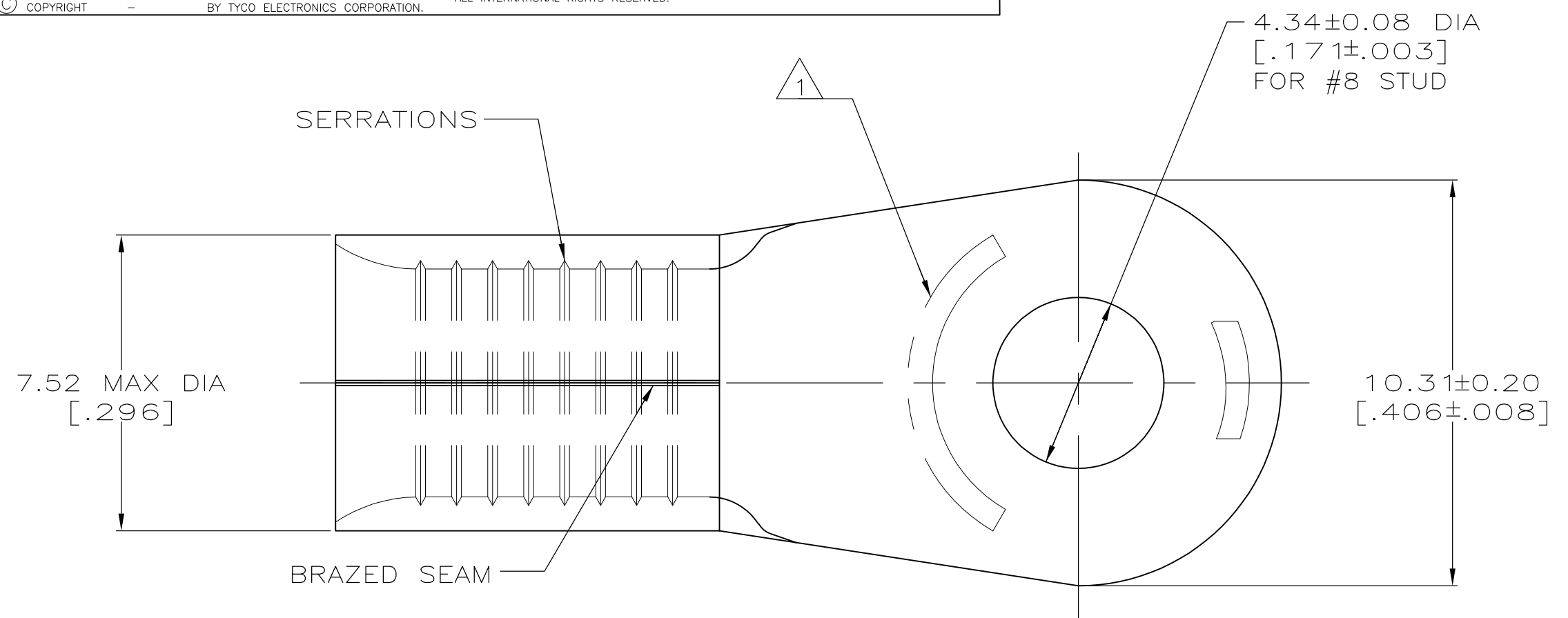


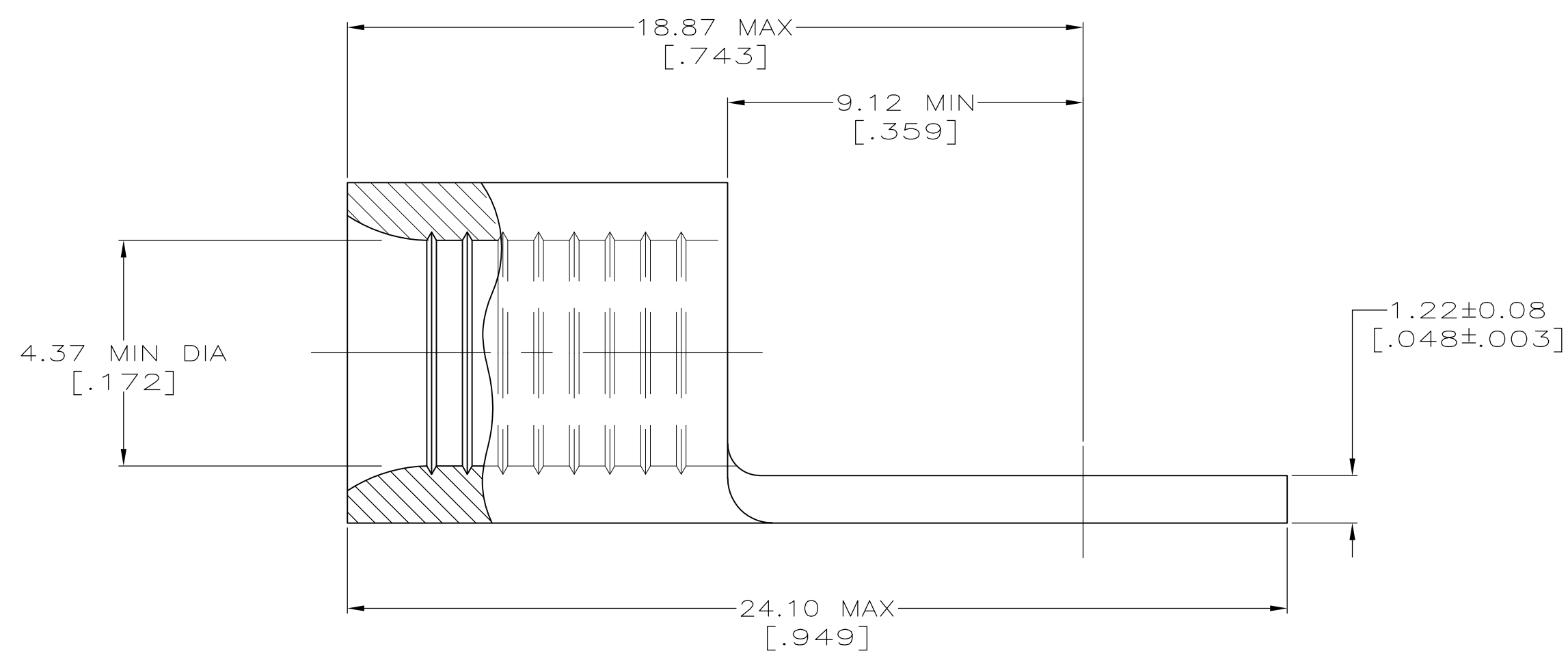
LOC	DIST	REVISIONS					
G	14	P	LTR	DESCRIPTION	DATE	OWN	APVD
		R2		REVISED PER ECR-08-022232	06OCT08	HMR	TM



AMP
WIRE RANGE

8 AWG
SOLID OR STRANDED

- 1 STAMP AMP 8* 14 APPROX AS SHOWN
- 2 COPPER PER ASTM B-152, ANNEALED
- 3 UL LISTED E13288, 8 AWG STRANDED
- 4 CSA CERTIFIED LR7189, 8 AWG STRANDED
- 5 MILITARY MS20659-140 CLASS 2
- 6 TIN PLATE 0.00254 [.000100] MIN THK PER ASTM B545
- 7 NICKEL PLATE 0.00762 [.000300] MIN THK PER QQ-N-290.
- 8 TIN-LEAD (60-40) PLATE 0.00254 [.000100] MIN THK PER SAE-AMS-P-81728
- 9 TIN-LEAD (93-7) PLATE 0.00254 [.000100] MIN THK PER ASTM-B545 (3% MIN LEAD CONTENT)
- 11 PRELIMINARY - NOT FOR PRODUCTION



APPROVALS	MAX OPERATING TEMPERATURE	QTY	PACKAGE TYPE	FINISH	PART NO.
3 4	170°C	1500	324061 ON TAPE	6	11 3-324061-1
---	343°C	----	LOOSE PIECE	7	2-324061-5
---	170°C	100	LOOSE PIECE	9	11 324061-2
---	170°C	50	LOOSE PIECE	8	11 324061-1
3 4 5	170°C	100	LOOSE PIECE	6	324061

AMP INCORPORATED
CUSTOMER SERVICE SYSTEMS

FOR ADDITIONAL PRODUCT INFORMATION OR COPIES OF DRAWINGS AND TECHNICAL DOCUMENTS	PRODUCT INFORMATION CENTER 1-800-522-6752	MAX RECOMMENDED OPERATING TEMPERATURE: SEE TABLE
FOR APPLICATION TOOLING INFORMATION	TOOLING ASSISTANCE CENTER 1-800-722-1111	VOLTAGE RATING: N/A
FOR ORDER ENTRY	1-800-526-5142	CIRCULAR MIL AREA: 6.64-10.5mm ² [13,100-20,800] SOLID OR STRANDED

THIS DRAWING IS A CONTROLLED DOCUMENT FOR AMP INCORPORATED. IT IS SUBJECT TO CHANGE AND THE CONTROLLING ENGINEERING ORGANIZATION SHOULD BE CONTACTED FOR THE LATEST REVISION.

THIS DRAWING IS A CONTROLLED DOCUMENT.

DIMENSIONS: mm [INCHES]	TOLERANCES UNLESS OTHERWISE SPECIFIED:	DWN TA BRINKMAN 3-24-93	Tyco Electronics Corporation Harrisburg, PA 17105-3608
0 PLC ± -	1 PLC ± -	CHK DA PATTERSON 3-24-93	
2 PLC ± -	3 PLC ± -	APVD JL MECKLEY 3-24-93	NAME
4 PLC ± -	ANGLES ± ± -		TERMINAL, RING TONGUE, SOLISTRAND
MATERIAL SEE TABLE	FINISH SEE TABLE	WEIGHT -	SIZE CAGE CODE DRAWING NO RESTRICTED TO
			A2 00779 G-324061
CUSTOMER DRAWING			SCALE 8:1 SHEET 1 OF 1 REV R2